



# WMS – 47PLUS2(T)

## 47" All-in-one (Interactive) Digital Signage



Side I/O cover



Bottom I/O cover

### Features

- 47" All-in-one Digital Signage with Industrial grade Engine box integrated.
- Intel Core 2 Dual CPU + Q965 + ICH8 Platform
- Display controlled by industrial pc mother board through RS232.
- IR touch integration
- Deliberated system integration solution.
- Stylish looking
- Support 1920x1080 HDTV content & 3D application
- PCI-express Slot for expansion
- RoHS compliance

### System

CPU	Socket 775, Intel Core 2 Duo Up to 2.66GHz (65W)
FSB	800MHz / 1066MHz
Chipset	Intel® Q965 chipset: •Intel Q965 Graphic Memory Controller Hub (GMCH) •Intel ICH8 I/O Controller Hub
BIOS	8Mb AWARD Flash BIOS
VGA	Intel Q965 integrated graphic subsystem (GMA3000)
Audio	Realtek ALC268 AC97 Audio Codec 2+2 channels
LAN	Realtek 8111B Giga LAN x 2
Memory	Two 240-pin DDRII 533/667/800 DIMM sockets (dual channels), supports max. 4 GB system memory
I/O	ICH8
Serial ATA	Port x 4
GPIO	8-bit input, 8-bit output (5V) (pin head design in)
WDT	1~255 minutes, software programmable
Photo sensor for brightness control	

### Add-on Options

1. TV tuner function & Video capture function: COMPRO E300F, PCI-E x1 card
2. Wireless LAN function: by VIA VNT6656GEV00 PCI-E mini card
3. VGA card function: by TUL ATI HD 2600 Pro 512MB DDR2 128Bits
4. Stand x2
5. Bottom I/O cover
6. Side I/O cover
7. Web camera (1.3M pixels)
8. Speakers (5W+5W) (landscape, portrait)
9. Wall mount bracket (200 x 200 mmxmm)
10. Magnetic stripe card reader

### Display

Panel Size	47"
Resolution	1920x1080
Number of Pixels	2.1Mx (R,G,B)
Pixel Pitch(mm)	0.5415
PPI	47
Active Area(mm)	1039.68x584.82
Luminance(nits)	500
View Angle	(U/D/R/L,CR>20) 88/88/88/88
Contrast Ratio	2000:1
Color Depth	8bit (16.7M)
Color Gamut	(NTSC) 72%
Response Time(ms)	6.5 (Gray to Gray)
Electrical Interface	2ch LVDS

### Storage

HDD	3.5" SATAII HDD drive bay x 1
-----	-------------------------------

### Expansion

PCI-E mini card slot	x 1
PCI-Ex16	x 1
PCI-Ex1	x 1

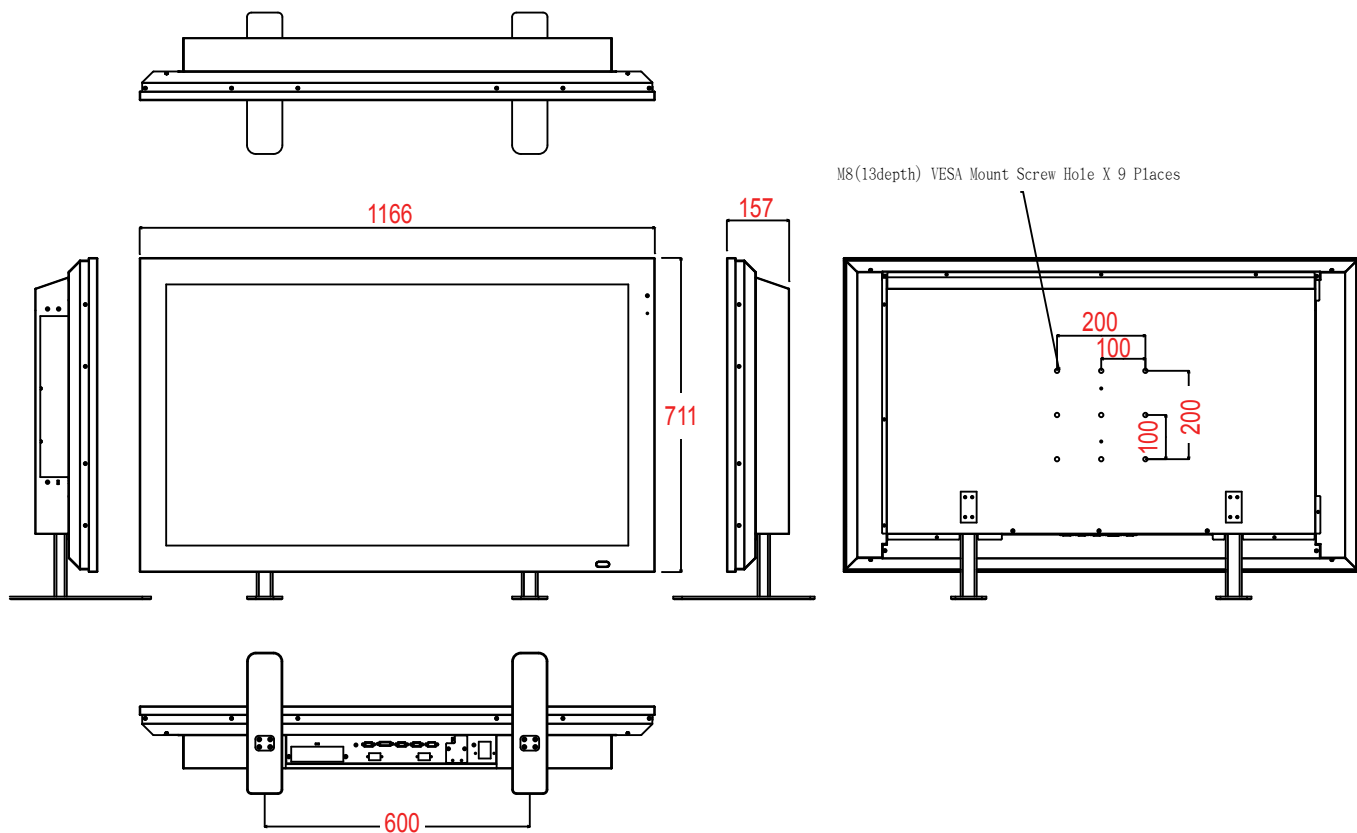
### External I/O

USB	USB 2.0 x 4 (external x 4, internal x 4)
COM	RS232 x 1 (external: RS-232 x 1, internal RS-232/422/485x1)
LAN	RJ-45 x 2 (Gigabit Ethernet)
KB/Mouse	PS/2 Keyboard x1 & Mouse x 1
Audio	Line-in, Mic-in, Line out audio jacks
DVI-D output	x 1
IEEE1394	Fire wire *1 (option)
GPIO connector (option)	
VGA output	x 1
VGA input	x 2
DVI-I input	x 1
RS232	x 1

# All-in-one (Interactive) Digital Signage

## Drawing

WMS47BKIT



1. Fanless Panel PC
2. Medical All-in-one Solution
3. Engine Box
4. All-in-one Digital Signage Solution
5. XPe Solution
6. Remote Device Management (WRDM)

## ● Power

<b>Power</b>	AC-In connector x 1, with locker
<b>Power Input</b>	Direct AC connector, 100~240VAC, 50/60Hz
<b>Power consumption</b>	375W
<b>Power Switch</b>	Main switch to turn on/off AC power (at the bottom side) Switch to turn on/off mother board (at the external I/O of PC side)
<b>Power LED</b>	Power and HDD indicator at PC board external I/O side (LED colors: Power: Green / Orange: HDD accessing)

## ● Mechanical & Environmental

<b>Color</b>	Standard: Black, Option: Silver
<b>Operating Temperature:</b>	0°C ~ 40°C
<b>Storage Temperature</b>	-20°C ~ 60°C
<b>Operating Humidity</b>	10 ~ 80%
<b>Storage Humidity</b>	10 ~ 80%
<b>Noise level under 38 dB</b>	

## ● Dimension and Weight

Standalone	WMS-47PLUS2 BK	WMS-47PLUS2 BKIT	WMS-47PLUS2 BKTG
Subtotal	41.5	49.1	44.6
Weight (without stand)	41.5	49.1	44.6
Weight (with stand) kg	43.5	51.1	46.6
Dimensions (without stand) mm (W) x mm (H) x mm (D)	1166*711*141	1166*711*157	1166*711*144
Dimensions (with stand) mm (W) x mm (H) x mm (D)	1166*773*141	1166*773*157	116*773*144

## ● Ordering information

1. WMS-47PLUS2BK-C2D 2.6-512-80
2. WMS-47PLUS2BKIT-C2D 2.6-512-80
3. WMS-47PLUS2BKTG-C2D 2.6-512-80