

WPE-790

Pentium 4 Plasma/LCD Display Engine



Features

- Most Powerful Digital Signage Control Box (P4 1.7GHz~2.8GHz)
- Most Compact Design in its kind (430 x 300 x 44.5mm)
- Intel 82845GV Chipset with Built-in AGP 4X Graphics
- 10/100Base-Tx Fast Ethernet
- Two PCI Slots for expansions
- Optional nVIDIA GeForce FX5200 16:9 PCI VGA Card
- Optional Wireless (Wi-Fi) Module and CD/DVD-ROM



System

CPU	Socket 478 Intel Pentium 4 1.7G ~ 2.8G(without HT)
Front Side Bus	400/533 MHz
Chipset	Intel 845GV+ICH(82801DB)
Memory	1 X DDR 2.5V PC200/266/333 DDR SDRAM (without ECC Funtion) DIMM Module. Max. capacity - 1GB
BIOS	Award BIOS Support ACPI Funtion
Audio	ICH4 Built-in AC97 Audio, ALC650 6 Channel Codec
Cache	128K/256K/512K Level 2 (CPU integrated)
VGA	845GV built-in AGP 4X graphics
LAN	Realtek 8100BL 10/100Base-Tx Fast Ethernet Controller
I/O	Winbond W83627HF LPC I/O
IDE	IDE 1 40-pin box header (Ultra DMA 33/66/100); IDE 2 44-pin header
WDT	Watchdog Timer (256 steps, 0~255 sec/step)

External I/O

VGA	DB-15 x 1
Audio Jack	Line-out and Mic-in
USB	USB 2.0 x 2
COM	DB-9 x 1
Parallel	DB-25 x 1
K/B & Mouse	PS/2 Keyboard x 1 and PS/2 Mouse x 1
LAN	RJ-45 x 1

Storage

HDD	Internal drive bay for 3/5" IDE HDD x 1
CD-ROM	Optional drive bay for slim type CD/DVD-ROM x 1

Expansion

PCI Slot	32-bit PCI slot x2
----------	--------------------

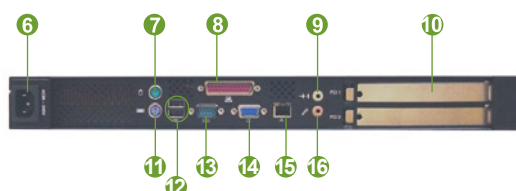
Mechanical & Environmental

Power Input	AC 90~264V / 47~63Hz
Operating Temperature	0~40°C
Storage Temperature	-20~80°C
Relative Humidity	10%~90%, non-condensing
Dimensions	430 x 300 x 44.5 mm
Weight	5.2 kg

Fully-integrated I/O



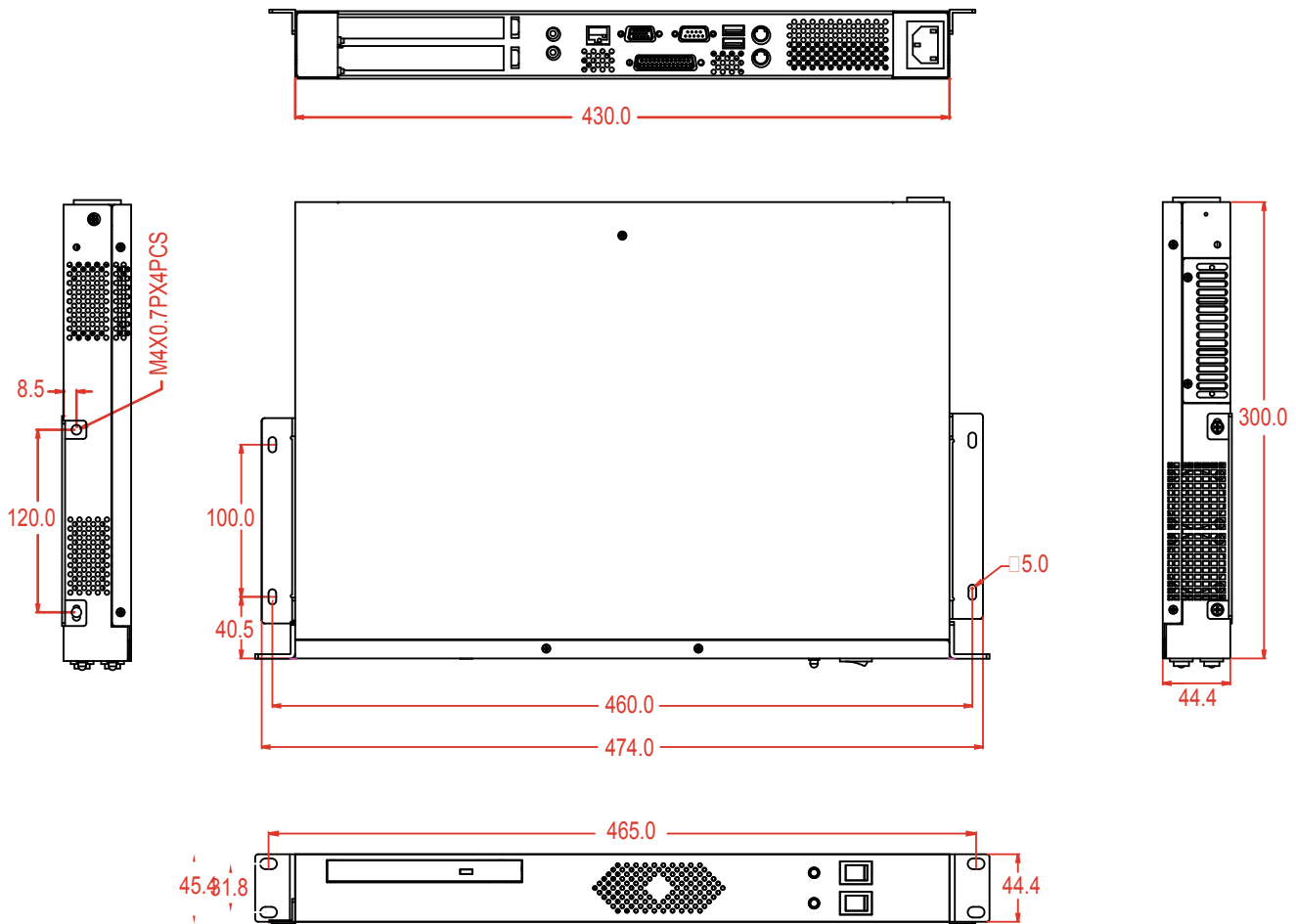
- ① CD/DVD-ROM (option)
- ② Power LED
- ③ Power Switch
- ④ HDD LED
- ⑤ Reset Switch



- ⑥ AC input
- ⑦ Mouse
- ⑧ LPT
- ⑨ Line out
- ⑩ PCI slot
- ⑪ Keyboard
- ⑫ USB 2.0
- ⑬ COM
- ⑭ VGA
- ⑮ LAN
- ⑯ Mic in

Pentium 4 Plasma/LCD Display Engine

Drawing



1.

Fanless Panel PC

2.

Medical All-in-one Solution

3.

Engine Box

4.

All-in-one Digital Signage Solution

5.

XPe Solution

6.

Remote Device Management (WRDM)

Key Features

High Performance



Built in 16:9
High-performance Pentium 4 Engine



Specific Thermal Solution
<40dB with P4 3.06GHz / 100% CPU loading

Ordering information

1. WPE-790 : P4 Plasma/LCD Display Engine with onboard AGP4X, Audio, and LAN
2. 19" rack mount kit (option)